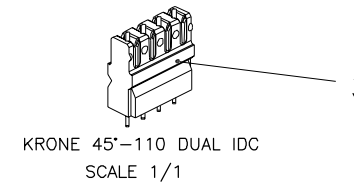
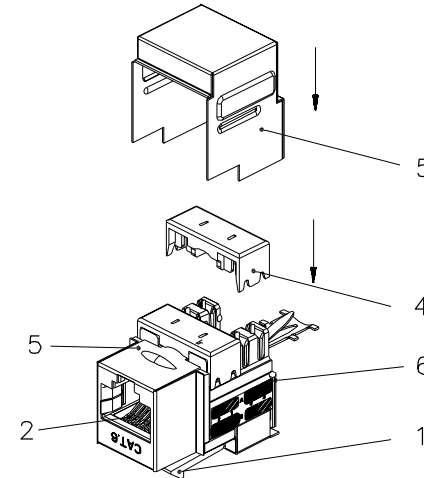
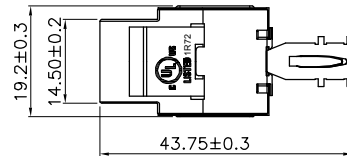
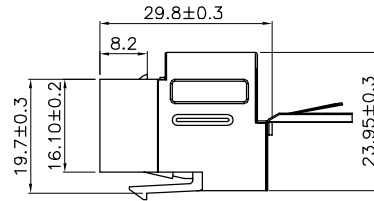
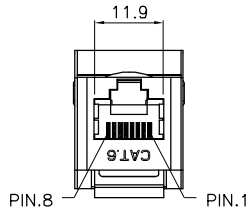


NOTE: ALL MATERIAL COMPLIANT ROHS STANDARD

REVISION INFORMATION			
Rev.	Rev. Date	Modified By	Brief Description



Specification:


Material :

1. RJ45 Jack :
 - 1-1. Housing : ABS+PC, UL 94V-0, with Black color.
 - 1-2. Contact Bracket : PBT+Glass Fiber, UL 94V-0.
2. RJ45 Contact :
 - 2-1. Material : Phosphor Bronze with Nickel plated
 - 2-2. Finish : 50 micro-inch Gold plated on Plug contact area.
3. IDC :
 - 3-1. Housing : PC+Glass Fiber, UL 94V-2.
 - 3-2. Terminal : Phosphor Bronze with Tin plated.
4. IDC CAP : ABS, UL 94-HB.
5. Shield : Bronze with Nickel plated.
6. IDC Bracket : ABS, UL 94V-0.
7. PCB : FR4, UL94V-0.

Performance :

- a. T568A & T568B wiring Sticker.
- b. Insertion force : 30N max. (IEC 60603-7-5)
- c. Retention strength : 7.7 kg between Jack and Plug.
- d. Operating temperature : -10°C to 60°C. (ISO/IEC 11801, ANSI/TIA/EIA 568 B.2)
- e. Life(mating cycles) :
 - *Jack : 750 cycles min. (ISO/IEC 11801, IEC 60603-7-5)
 - *IDC : Suitable for 22-26 AWG stranded and solid wire, compatible with both 110 & Krone punch down tools.
- f. The Cat.6 transmission performance is in compliance with the ANSI/TIA/EIA 568 B.2-1 standard.

NO.	PART NAME	SPECIFICATION DESCRIPTION	QTY	UNIT
③				
②				
①				



Sales@LANshack.com | 888-568-1230

DRAWN BY	DATE: 2012/08/25	DESCRIPTION: Cat.8 RJ45 110 Type Shielded Keystone Jack	
CHECKED BY	SHEET 1 of 1	ITEM NO. LSBL-110KST-C6-S	
APPROVED BY	SCALE 1:1	REV. 00	UNIT: mm 